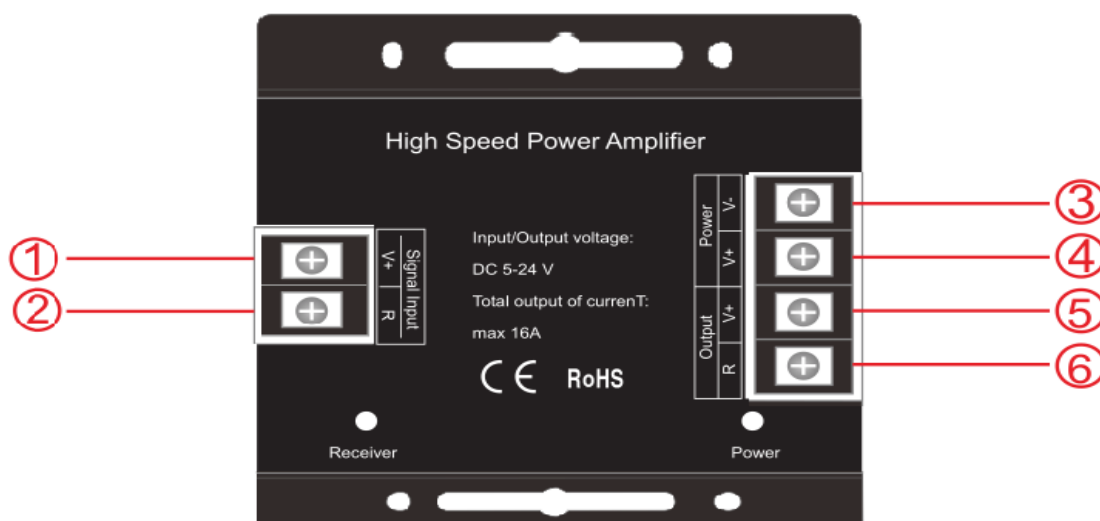


User manual for 1 channel High Speed Power Amplifier

Technical parameters

- Working temperature: -20-60 °C
- Working voltage: DC5V-24V
- Static power consumption: <1W
- Max. output current: <16A
- Max. output power: **384W/24V**
- Connect mode: common anode
- External dimension: L83mm*W79mm*H33mm
- Delay time: 20ns

Interface instruction



Signal control port:

- 1: Common anode public pole
- 2: R channel input signal cathode

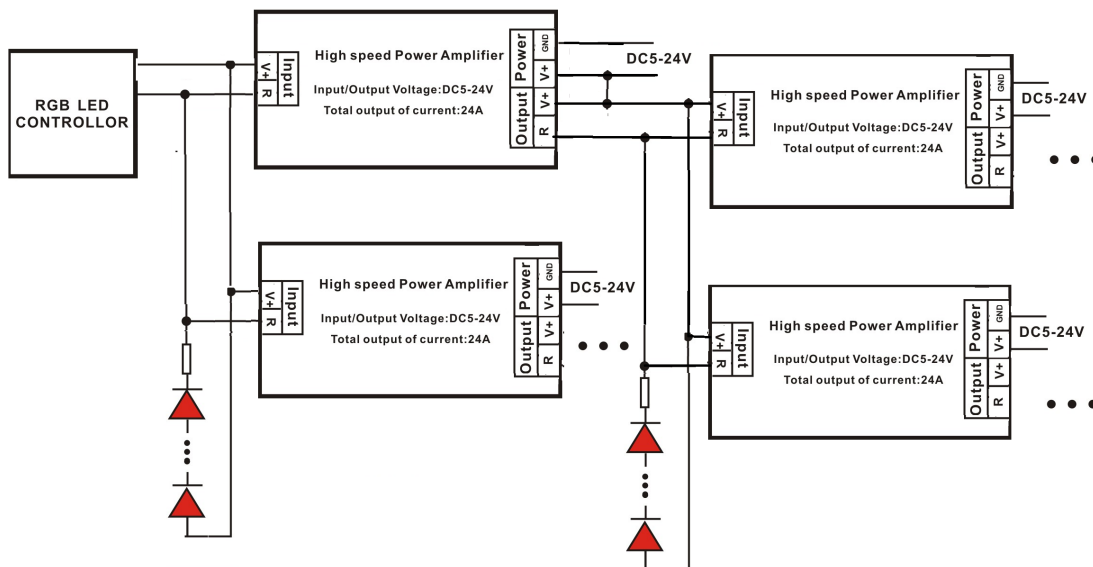
Power and load output port:

- 3: Power supply input voltage cathode
- 4: Power supply input voltage anode
- 5: Load output common anode public pole
- 6: R channel load output cathode

Indicator light:

- “Power”: power indicator light, red light;
- “Receiver”: dimming indicator, green light, brightness changes with PWM.

Technical Application



Warning

1. This product is power supply voltage is DC5V-24V, cannot connect to other voltage.
2. The power cables cannot be wrong connected, in order to avoid short-circuit.
3. The outlet should be connected correctly according to the color shown in the wiring diagram.