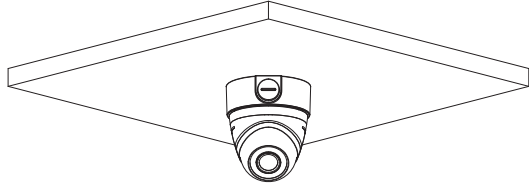
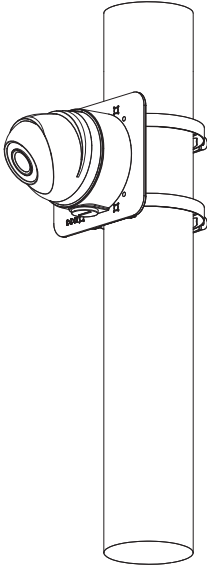
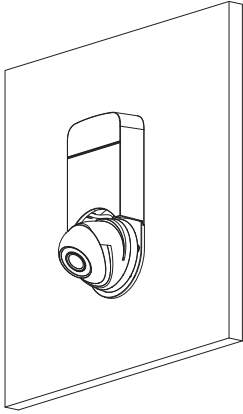


Junction Mount	Pole Mount
PFA135	PFA135 + PFA152-E
 A line drawing showing a camera lens assembly mounted at the center of a diamond-shaped junction where two flat surfaces meet. The camera lens is oriented downwards.	 A line drawing showing a camera lens assembly mounted on a vertical cylindrical pole. The camera is oriented horizontally to the left. The mounting bracket has two curved arms that wrap around the pole.
Wall Mount	
PFA12A	
 A line drawing showing a camera lens assembly mounted on a rectangular wall plate. The camera is oriented horizontally to the left.	