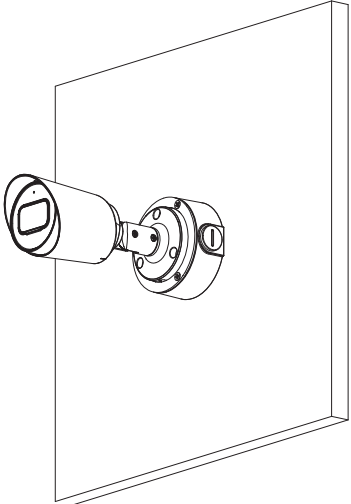
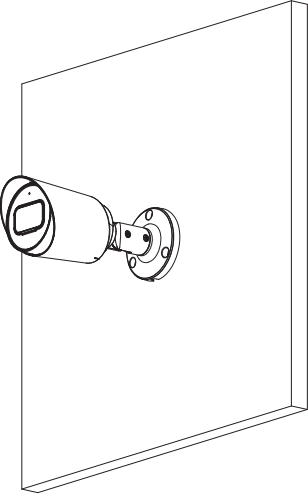
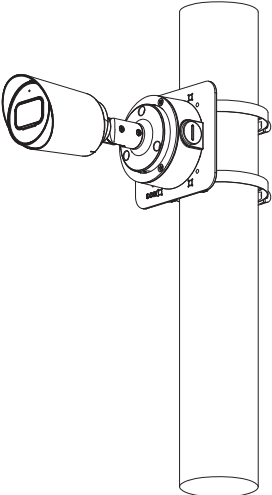


Junction Mount	Wall Mount	Pole Mount
PFA134	—	PFA134+PFA152-E
 A technical line drawing showing a cylindrical camera lens assembly mounted to a square panel. The camera is oriented horizontally, pointing to the left. The mounting bracket is attached to the back of the panel.	 A technical line drawing showing a cylindrical camera lens assembly mounted to a square panel. The camera is oriented horizontally, pointing to the left. The mounting bracket is attached to the back of the panel. A horizontal line is drawn above the camera, indicating a specific feature or adjustment.	 A technical line drawing showing a cylindrical camera lens assembly mounted to a vertical pole. The camera is oriented horizontally, pointing to the left. The mounting bracket is attached to the pole with two curved brackets.