

## **INSTALLATION INSTRUCTION**

Model: VT-8057

UP/DOWN SOFT LIGHT-OUTDOOR



## **INTRODUCTION**

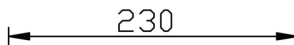
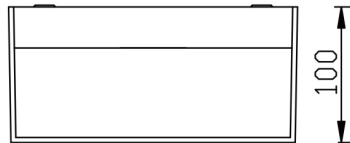
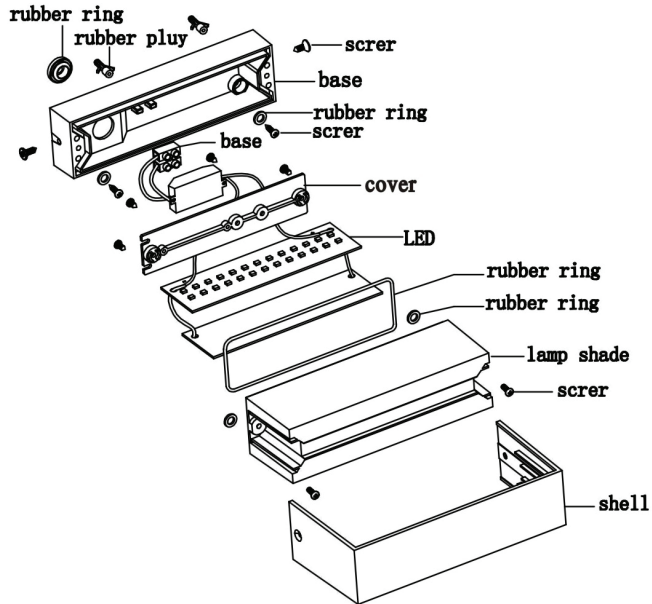
Thank you for selecting and buying V-TAC LED Up/down soft light-outdoor. V-TAC will serve you the best. Please read these instructions carefully before starting the installation and keep this manual handy for future reference. If you have any other query, please contact our dealer or local vendor from whom you have purchased the product. They are trained and ready to serve you at the best.

---

## TECHNICAL PARAMETERS

Performance parameter	Lamp	warm white	natural white	cool white
	Lumens (lm)	580 lm	580 lm	600 lm
	color temperature (K)	3000K	4000K	6400K
	CRI	≥80		
	Type of LED	COB LED		
	Beam angle	92°		
	Decay rate (%)	less than 3% within 1000 working hours		
	Total power (W)	9W		
	Lifespan (Hrs)	≥30000Hrs		
	High voltage testing	500Vac/1min		
LED parameter	Lighting efficiency	100LM/W		
	Chip quantity	96PCS		
	Series-parallel way	12C8B		
	Voltage	36 - 39V		
	Current	240mA		
Driver specification	Input parameter	100~240Vac, 50/60Hz		
	Power factor	0.9		
	Output parameter	240mA, 30-80V		
Structure parameter	Material	PC		
	Dimension	230 x 100 x 90mm		
	Cut - out	/		
	Protection class	class I		
	IP	IP65		
Environment parameter	Application	hotel, home-lighting, recreation place, supermarket office building		
	Operating temperature	-25°C ~ 50°C, 10% - 90% R.H.		
	Storage temperature	-30°C ~ 85°C, 0% - 95% R.H.		
Packing specification	Qty / Ctn	carton size	N.W	

**STRUCTURE & SIZE**



### INSTALLATION INSTRUCTION

1. Switch off the power.
2. To drill the appropriate holes on the wall. (picture 1)
3. Enter the particles and install the lamp base on the wall. (picture 2)
4. Connect the light into the mains (100-240V), install the lampshade and cover the shell. (picture 3)
5. Switch on the power if above steps are done properly without any mistakes.

