



max 10 mm



special application
applicazioni
speciali

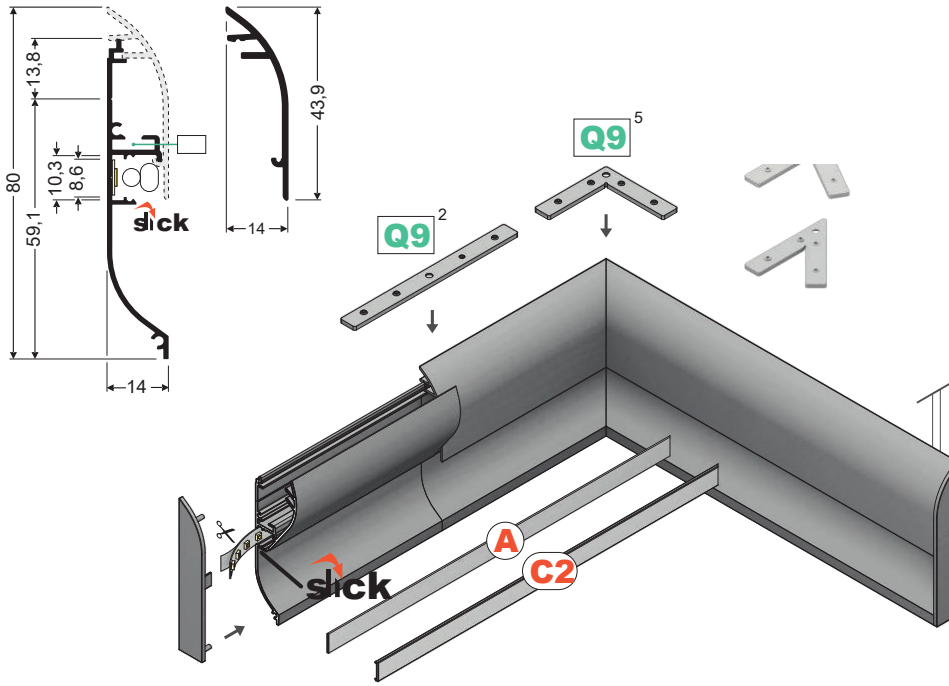


architectural
architetturale




- elegant and robust skirting board for LED strips
- soft glow with a 60 P/m LED strip
- optimum light effect with a matt floor or carpet
- convenient installation
- space for concealing wires

- elegante e robusto battiscopa per strip LED
- luce soffusa con striscia LED 60 P/m
- effetto luminoso ottimale con un pavimento opaco o un tappeto
- installazione conveniente
- spazio per nascondere i cavi





LED profile for SKIRT
LED Profil per battiscopa

		
white painted Verniciato bianco weiß lackiert peint en blanc	anodized anodizzato eloxiert surface anodisée	raw aluminium grezzo Rohaluminium aluminium brut
2000 mm AL-ZO-2W	AL-ZO-2	AL-ZO-2G
3000 mm AL-ZO-3W	AL-ZO-3	AL-ZO-3G
4050 mm AL-ZO-4W	AL-ZO-4	AL-ZO-4G

complementary profile
Profilo complementare
Ergänzungsprofil
cache

		
white painted Verniciato bianco weiß lackiert peint en blanc	anodized anodizzato eloxiert surface anodisée	raw aluminium grezzo Rohaluminium aluminium brut

end cap
terminali
Endkappe
embout



white
bianco
weiß
blanc

silver
Silver
silbern
argent

EC-ZO-KW EC-ZO-K

Q9¹ → 203
connector Q9 90 deg bent
connettore Q9 90 gradi

Q9² → 203
connector Q9 180 deg
connettore Q9 180 gradi

Q9³ → 203
connector Q9 135 deg
connettore Q9 135 gradi

Q9⁴ → 203
connector Q9 120 deg
connettore Q9 120 gradi
Verbinder Q9 120 Grad
connecteur Q9 120 degrés

Q9⁵ → 203
connector Q9 90 deg
Connettore Q9 90 gradi
Verbinder Q9 90 Grad
connecteur Q9 90 degrés

Q9⁶ → 203
connector Q9 60 deg
Connettore Q9 60 gradi
Verbinder Q9 60 Grad
connecteur Q9 60 degrés

Q9⁷ → 203
connector Q9 45 deg
connettore Q9 45 gradi
Verbinder Q9 45 Grad
connecteur Q9 45 degrés

A → 194
diffuser A slide
cover A a slitta
Abdeckung A einschiebbar
diffuseur A coulissant

C2 → 196
diffuser C2 click
Cover C2 click
Abdeckung C2 einclipsbar
diffuseur C2 clic